



JRS1-09-25



JRS1-40-80

1. Application

JRS1 series thermal relay is suitable for using in the circuits rated voltage up to 660V, rated current 80A, AC 50/60Hz, for over-current protection of AC motor. The relay has the differential mechanism and temperature compensation and can plug in CJX2 series AC contactor. The product conforms to IEC60947-4-1 standard.

2. Motion Characteristic: Three-phase Balance Motion Time

No	Times of the setting current(A)	Motion time			Start condition	Ambient temperature
1	1.05	>2h			Cold state	20±5°C
2	1.2	<2h			Heat state (Following the No.1 test)	
3	1.5	<4min				
4	7.2	10A	2s<Tp ≤ 10s	≤ 63A	Cold state	
		10	4s<Tp ≤ 10s	>63A		

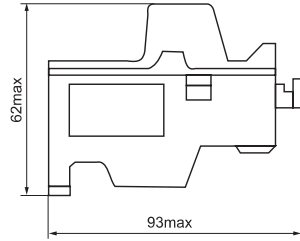
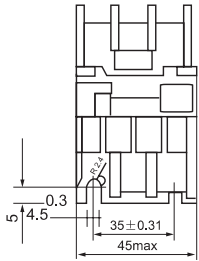
3. Phase-losing Motion Characteristic

No	Times of the setting current(A)		Motion time	Start condition	Ambient temperature
	Any two phases	Another phase			
1	1.0	0.9	>2h	Cold state	20±5°C
2	1.15	0	<2h	Heat state (Following the No.1 test)	

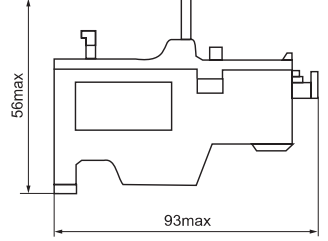
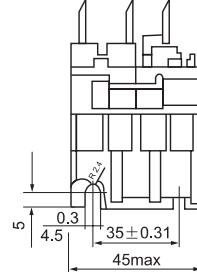
4. Specification

Type	Number	Setting range (A)	For contactor
JRS1	09301	0.1~0.16	CJX2-09~25
	09302	0.16~0.25	CJX2-09~25
	09303	0.25~0.4	CJX2-09~25
	09304	0.4~0.63	CJX2-09~25
	09305	0.63~1	CJX2-09~25
	09306	1~1.6	CJX2-09~25
	09307	1.6~2.5	CJX2-09~25
	09308	2.5~4	CJX2-09~25
	09310	4~6	CJX2-09~25
	09312	5.5~8	CJX2-09~25
	09314	7~10	CJX2-09~25
	12316	10~13	CJX2-09~25
	16321	13~18	CJX2-09~25
	25322	18~25	CJX2-09~25
	40353	23~32	CJX2-09~25
	40355	30~40	CJX2-40, 50, 63
	63357	38~50	CJX2-40, 50, 63
	63359	48~57	CJX2-40, 50, 63
	63361	57~66	CJX2-40, 50, 63
	80363	63~80	CJX2-40, 50, 63

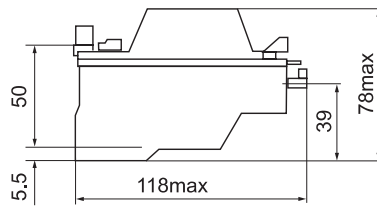
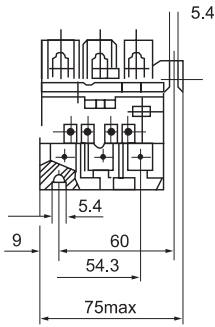
5. Outline and Mounting Dimension



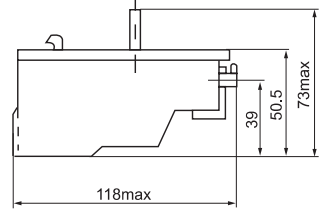
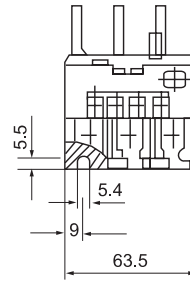
JRS1-09-25 F type



JRS1-09-25 Z type





JRS1-40-80 F type



JRS1-40-80 Z type

6. Accessories

Pic		
Description	JRS1 mounting base	JRS1 mounting base
Application	Assembled with JRS1-09~25 to form a complete set	Assembled with JRS1-40~80 to form a complete set



JRS2-12.5/Z



JRS2-25/Z



JRS2-32/Z



JRS2-45/Z



JRS2-63/Z

1. Application

JRS2 thermal relay is suitable for AC 50/60Hz, voltage up to 660V and current up to 630A, general AC motor of long or discontinuous long operation, used as overload protection and has the functions of breaking phase protection, temperature compensation, and trip indication. It can automatically and manually get back. It can be fixed with contactor CJX1 together, also be independently fixed. The product conforms to IEC60947-4-1 standard.

2. Motion Characteristic: Three-phase Balance Motion Time

No	Times of the setting current	Motion time			Start condition	Ambient temperature
1	1.05	>2h			Cold state	20±5°C
2	1.2	<2h			Heat state (Following the No.1 test)	
3	1.5	<4min				
4	7.2	10A	2s<Tp ≤ 10s	≤ 63A	Cold state	
		10	4s<Tp ≤ 10s	>63A		

3. Phase-losing Motion Characteristic

No	Times of the setting current		Motion time	Start condition	Ambient temperature
	Any two phases	Another phase			
1	1.0	0.9	>2h	Cold state	20±5°C
2	1.15	0	<2h	Heat state (Following the No.1 test)	

4. Specification

Type	Number	Setting range (A)	For contactor	Type	Number	Setting range (A)	For contactor
JRS2-12.5/Z	0A	0.1~0.16	CJX1-09 CJX1-12	JRS2-25/Z	0A	0.1~0.16	CJX1-16 CJX1-22
	0C	0.16~0.25			0C	0.16~0.25	
	0E	0.25~0.4			0E	0.25~0.4	
	0G	0.4~0.63			0G	0.4~0.63	
	0J	0.63~1			0J	0.63~1	
	0K	0.8~1.25			0K	0.8~1.25	
	1A	1~1.6			1A	1~1.6	
	1B	1.25~2			1B	1.25~2	
	1C	1.6~2.5			1C	1.6~2.5	
	1D	2~3.2			1D	2~3.2	
	1E	2.5~4			1E	2.5~4	
	1F	3.2~5			1F	3.2~5	
	1G	4~6.3			1G	4~6.3	
	1H	5~8			1H	5~8	
	1J	6.3~10			1J	6.3~10	
	1K	8~12.5			1K	8~12.5	
2S	10~14.5	2A	10~16				
		2B	12.5~20				
		2C	16~25				



JRS2-80/Z



JRS2-135



JRS2-150



JRS2-180/F

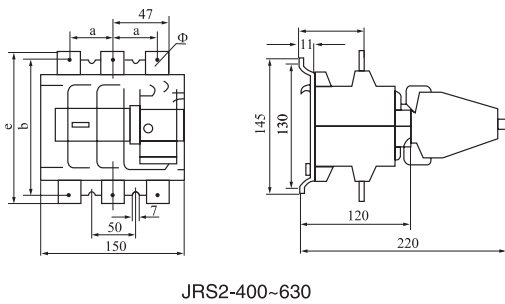
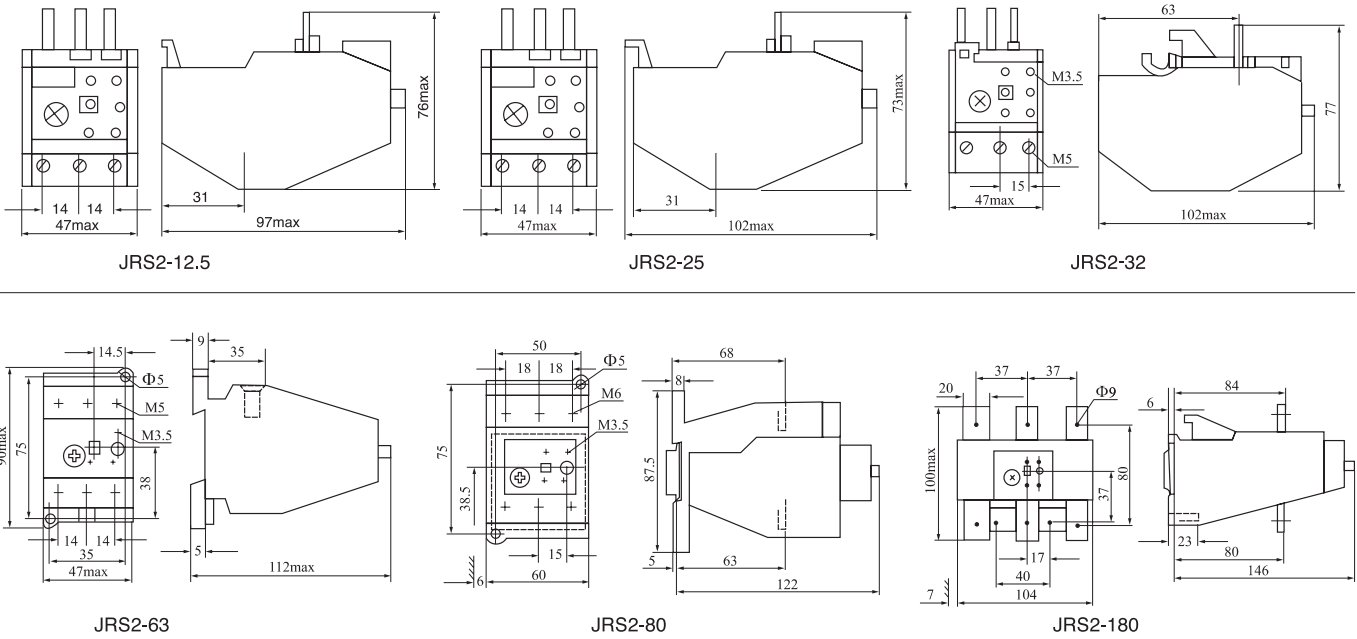


JRS2-400/F

JRS2-630/F

Type	Number	Setting range (A)	For contactor	Type	Number	Setting range (A)	For contactor		
JRS2-32/Z	1G	4~6.3	CJX1-32	JRS2-63/F	0K	0.8~1.25	CJX1-09~63		
	1J	6.3~10			1A	1~1.6			
	2A	10~16			1B	1.25~2			
	2B	12.5~20			1C	1.6~2.5			
	2C	16~25			1D	2~3.2			
	2D	20~32			1E	2.5~4			
	2Q	25~36			1F	3.2~5			
JRS2-45/Z	0A	0.1~0.16	CJX1-32 CJX1-38		1G	4~6.3		CJX1-85 CJX1-110	
	0C	0.16~0.25			1H	5~8			
	0E	0.25~0.4			1J	6.3~10			
	0G	0.4~0.63			1K	8~12.5			
	0J	0.63~1			2A	10~16			
	0K	0.8~1.25			2B	12.5~20			
	1A	1~1.6			2C	16~25			
	1B	1.25~2			2D	20~32			
	1C	1.6~2.5			2E	25~40			
	1D	2~3.2		2M	32~45				
	1E	2.5~4		2T	40~57				
	1F	3.2~5		2P	50~63				
	1G	4~6.3		2H	55~80				
	1H	5~8		2W	63~90				
	1J	6.3~10		2X	80~110				
1K	8~12.5	3H	90~120						
2A	10~16	3J	110~135						
2B	12.5~20	JRS2-150	2H	55~80	CJX1-140				
2C	16~25		2W	63~90					
2D	20~32		2X	80~110					
2Q	25~36		3H	90~120					
2R	32~40		3J	110~135					
8M	36~45		3K	120~150					
JRS2-80/Z	1G	4~6.3	CJX1-45 CJX1-63 CJX1-75 CJX1-85	JRS2-180/F	2H	55~80	CJX1-170 CJX1-205		
	8A	11~17			2W	63~90			
	2B	12.5~20			2X	80~110			
	2C	16~25			3H	90~120			
	2D	20~32			3J	110~135			
	2E	25~40			3K	120~150			
	2F	32~50			3L	135~160			
	2T	40~57			3M	150~180			
	2P	50~63			JRS2-400	2K		80~125	CJX1-110~400
	2V	57~70				3B		125~200	
2U	63~80	3C	160~250						
JRS2-63/F	0A	0.1~0.16	CJX1-09~63	JRS2-630	3D	200~320	CJX1-400		
	0C	0.16~0.25			3E	250~400			
	0E	0.25~0.4			3F	320~500			
	0G	0.4~0.63			3G	400~630			
	0J	0.63~1							

5. Outline and Mounting Dimension



Type	JRS2-400	JRS2-630
a	50	52
b	146	156
c	70	71
ø	11	11
e	171	186
f	25 × 4	30 × 5

6. Accessories

Pic				
Description	JRS2 mounting base	JRS2 mounting base	JRS2 mounting base	Terminal block box
Application	Assembled with JRS2-12.5/Z to form a complete set	Assembled with JRS2-80/Z to form a complete set	Assembled with JRS2-45/Z to form a complete set	Assembled with JRS2-135/Z to form a complete set



JR28-25



JR28-36



JR28-93



JR28-150



JR28-200

1. Application

JR28 series thermal relay is suitable for using in the circuit rated voltage up to 660V, rated current up to 630 A AC 50/ 60Hz, for over-current protection of AC motor. The relay has the differential mechanism and temperature compensation and can plug in CJX2 series AC contactor. The product conforms to IEC60947-4-1 standard.

2. Motion Characteristic: Three-phase Balance Motion Time

No	Times of the setting current(A)	Motion time			Start condition	Ambient temperature
1	1.05	>2h			Cold state	20±5°C
2	1.2	<2h			Heat state (Following the No.1 test)	
3	1.5	<4min				
4	7.2	10A	2s<Tp ≤ 10s	≤ 63A	Cold state	
		10	4s<Tp ≤ 10s	>63A		

3. Phase-losing Motion Characteristic

No	Times of the setting current(A)		Motion time	Start condition	Ambient temperature
	Any two phases	Another phase			
1	1.0	0.9	>2h	Cold state	20±5°C
2	1.15	0	<2h	Heat state (Following the No.1 test)	

4. Specification

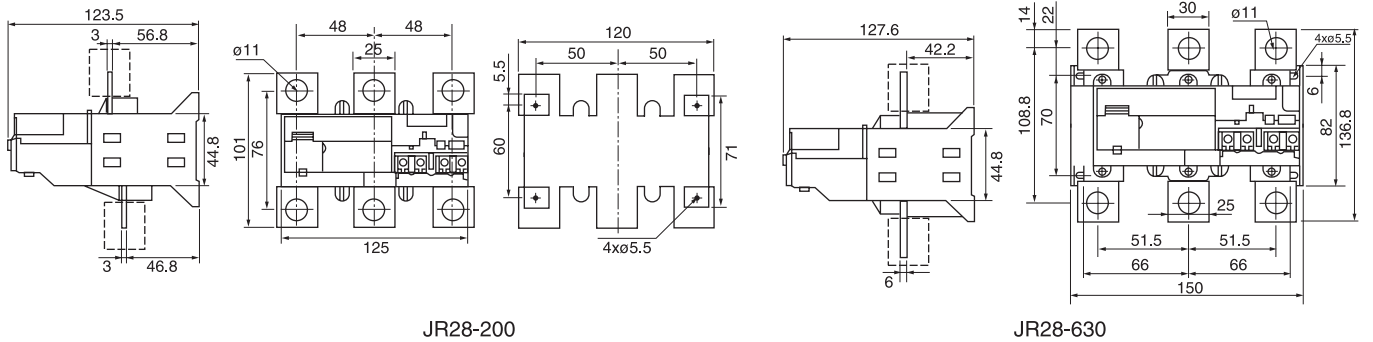
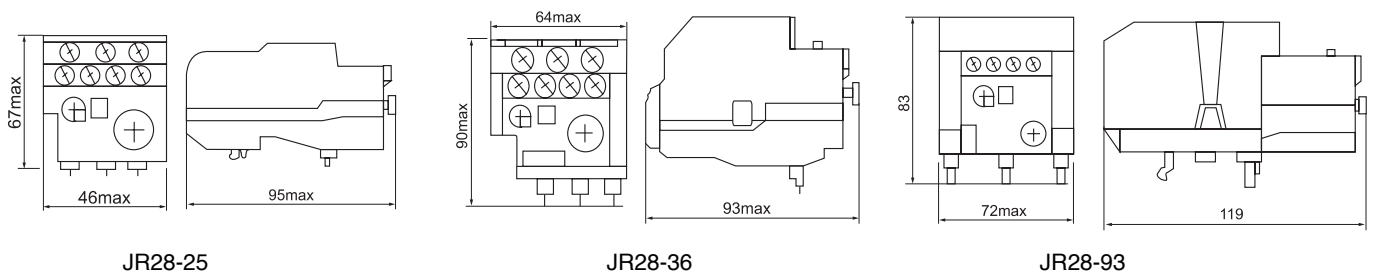
Type	Number	Setting range (A)	For contactor
JR28-25	1301	0.1~0.16	CJX2-09~32
	1302	0.16~0.25	CJX2-09~32
	1303	0.25~0.4	CJX2-09~32
	1304	0.4~0.63	CJX2-09~32
	1305	0.63~1	CJX2-09~32
	1306	1~1.6	CJX2-09~32
	1307	1.6~2.5	CJX2-09~32
	1308	2.5~4	CJX2-09~32
	1310	4~6	CJX2-09~32
	1312	5.5~8	CJX2-09~32
	1314	7~10	CJX2-09~32
	1316	9~13	CJX2-09~32
	1321	12~18	CJX2-09~32
	1322	17~25	CJX2-32
JR28-36	2353	23~32	CJX2-09~32
	2355	30~40	CJX2-09~32
JR28-93	3322	17~25	CJX2-09~32
	3353	23~32	CJX2-09~32
	3355	30~40	CJX2-09~32
	3357	37~50	CJX2-09~32
	3359	48~65	CJX2-09~32
	3361	55~70	CJX2-09~32
	3363	63~80	CJX2-09~32
	3365	80~93	CJX2-95
JR28-150	4365	80~104	CJX2-95
	4367	95~120	CJX2-95~115
	4369	110~140	CJX2-115



JR28-630

Type	Number	Setting range (A)	For contactor
JR28-150	5369	90~150	CJX2-150
JR28-200	F5357	30~50	CJX2-F115~F185
	F5363	48~80	CJX2-F115~F185
	F5367	60~100	CJX2-F115~F185
	F5369	90~150	CJX2-F115~F185
JR28-630	F5371	132~220	CJX2-F225~F265
	F7375	200~330	CJX2-F225~F500
	F7379	300~500	CJX2-F225~F500
	F7381	380~630	CJX2-F400~F630

5. Outline and Mounting Dimension



6. Accessories

Pic			
Description	JR28-25 mounting base	JR28-36 mounting base	JR28-93 mounting base
Application	Assembled with JR28-25 to form a complete set	Assembled with JR28-36 to form a complete set	Assembled with JR28-93 to form a complete set



TB-35



TB-35B



SUL181H

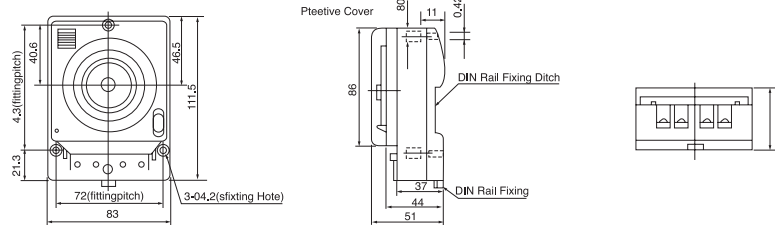


E8

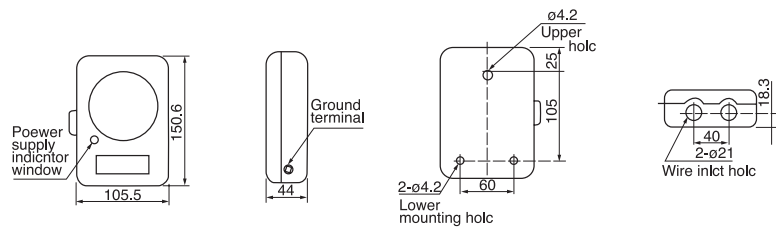
1. Main Technical Parameter

Classification	Timer	Timer	Timer	Timer
Model	TB-388	TB-35	SUL181h	E8
Specification				
Contact capacity	AC220V 10A	AC220V 10A	AC220V 16A	AC220V 10A
Full timing range	24h	24h	24h	7m
Contact resistance	≤ 50mΩ	≤ 50mΩ	≤ 50mΩ	≤ 50mΩ
Insulation resistance	≥ 100MΩ	≥ 100MΩ	≥ 100MΩ	≥ 100MΩ
Coil voltage	100~240V AC	100~240V AC	110,230V AC	110,230V AC
Life	Electrical	10 ⁵ Times	10 ⁵ Times	10 ⁵ Times
	Mechanical	10 ⁷ Times	10 ⁷ Times	10 ⁷ Times
Operating temperature	-40°C~+55°C	-40°C~+55°C	-40°C~+55°C	-40°C~+55°C
Storage battery (Working reserve)	Time 150h	Without battery	Time 150h	-
Minimum setting unit	15Minutes	15Minutes	30Minutes	0.5Minutes
Set up times	15 m/per times 96 times	15 m/per times 96 times	30 m/per times 48 times	1M, 1.5M, 2M, 2.5M, 3M, 3.5M, 4.5M, 5M, 5.5M, 6M, 6.5M, 7M

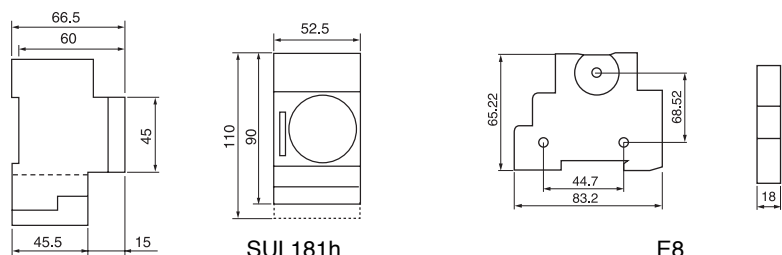
2. Dimension



TB-35



TB-35B



SUL181h

E8